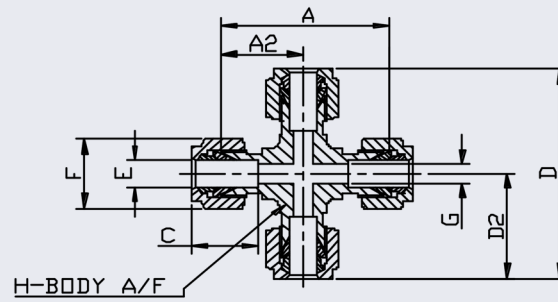


Twin Ferrule Compression Fittings Equal Cross (Fractional)



- 316 Stainless Steel
- Fractional sizes 1/8" to 3/4"
- Silver plated nuts

E TUBE	PART No.	A	A2	C	D	D2	F HEX	G	H A/F	KG/100
1/8	2CR	38.1	19.1	13.5	53.2	26.6	11.1	2.4	12.7	8.0
3/16	3CR	39.7	19.8	14.3	54	26.7	12.7	3.2	12.7	9.0
1/4	4CR	41.3	20.6	15.1	56.4	28.2	14.3	4.8	12.7	9.6
5/16	5CR	44.5	22.2	16.7	61.1	30.6	15.9	6.4	14.3	9.8
3/8	6CR	46.0	23.0	16.7	61.1	30.6	17.5	7.1	14.3	11.4
1/2	8CR	49.2	25.0	23.0	70.6	35.3	22.2	10.3	15.9	20.1
5/8	10CR	53.9	27.0	23.8	73.0	36.5	25.4	12.7	23.8	35.9
3/4	12CR	63.5	31.8	24.6	83.3	41.7	28.6	15.9	23.8	37.9

**** Dimensions subject to change - Please contact us if critical ****