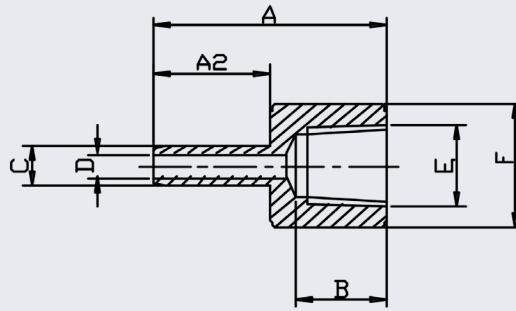
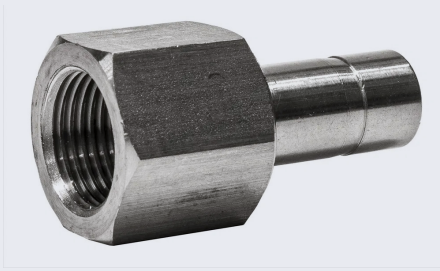


# Twin Ferrule Compression Fittings Female Standpipe Adaptor NPT (Metric)



- 316 Stainless Steel
- Metric sizes 4mm to 25mm

C	E THREAD	PART No.	A	A2	B	D	F HEX	KG/100
4	1/4	4mATPF4NPT	34.1	15.9	15.0	2.8	19	3.0
6	1/4	6mATPF4NPT	34.9	16.7	15.0	3.9	19	3.1
6	3/8	6mATPF6NPT	36.5	16.7	15.0	3.9	22	4.4
6	1/2	6mATPF8NPT	42.1	16.7	19.8	3.9	27	7.9
8	1/4	8mATPF4NPT	35.7	17.5	15.0	5.5	19	4.5
8	3/8	8mATPF6NPT	37.3	17.5	15.0	5.5	22	4.8
10	1/4	10mATPF4NPT	36.5	18.3	15.0	7.1	19	3.5
10	3/8	10mATPF6NPT	38.1	18.3	15.0	7.1	22	5.0
10	1/2	10mATPF8NPT	43.7	18.3	19.8	7.1	27	8.2
12	1/4	12mATPF4NPT	42.1	23.8	15.0	8.3	19	4.1
12	3/8	12mATPF6NPT	43.7	23.8	15.0	8.3	22	5.2
12	1/2	12mATPF8NPT	49.2	23.8	19.8	8.3	27	8.5
16	1/4	16mATPF4NPT	46.8	25.4	15.0	12.3	19	5.7
16	1/2	16mATPF8NPT	50.8	25.4	19.8	12.3	27	9.5
20	3/4	20mATPF12NPT	52.4	27.0	20.6	15.5	33	6.8
20	1	20mATPF16NPT	57.2	27.0	25.4	15.5	43	10.0
25	3/4	25mATPF12NPT	57.5	32.1	20.6	15.5	33	16.0

**\*\* Dimensions subject to change - Please contact us if critical \*\***