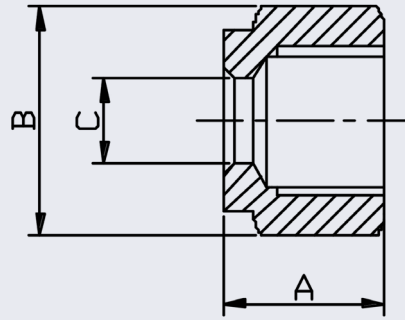


Twin Ferrule Compression Fittings Compression Nut (Fractional)



- 316 Stainless Steel
- Fractional sizes 1/8" to 1"
- Silver plated nuts

C TUBE	PART No.	THREAD	A	B HEX	KG/100
1/8	2N	5/16-20UN	11.9	11.1	0.7
3/16	3N	3/8-20UN	11.9	12.7	0.6
1/4	4N	7/16-20UNF	12.7	14.3	1.0
5/16	5N	41/2-20UNF	13.5	15.9	1.5
3/8	6N	9/16-20UN	14.3	17.5	1.4
1/2	8N	3/4-20UNEF	17.5	22.2	2.6
5/8	10N	7/8-20UNEF	17.5	25.4	3.8
3/4	12N	1-20UNEF	17.5	28.6	3.5
1	16N	1-5/16-20UN	20.6	38.1	7.4

**** Dimensions subject to change - Please contact us if critical ****