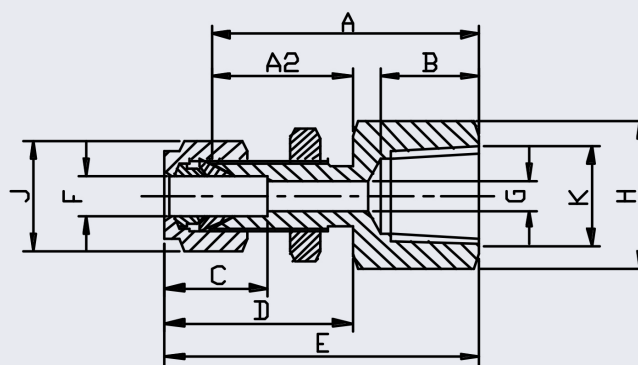
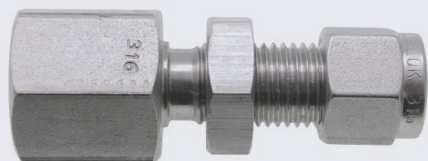


Twin Ferrule Compression Fittings Female Bulkhead NPT (Fractional)



- 316 Stainless Steel
- Fractional sizes 1/4" to 1/2"
- Silver plated nuts

F TUBE	K THREAD	PART No.	A	A2	B	C	D	E	G	H HEX	J HEX	Panel hole drill size	Panel thickness max	KG/100
1/4	1/8	4FBH2NPT	39.7	26.2	9.9	15.1	33.7	47.2	4.8	14.3	14.3	11.5	10.3	4.0
1/4	1/4	4FBH4NPT	44.5	26.3	15.1	15.1	33.7	52.0	4.8	19.1	14.3	11.5	10.3	6.4
3/8	1/4	6FBH4NPT	47.6	29.4	15.1	16.7	36.9	55.2	7.1	19.1	17.5	14.7	11.1	7.5
1/2	1/4	8FBH4NPT	51.6	31.2	15.1	23.0	42.1	61.9	10.3	22.2	22.2	19.5	12.7	13.6
1/2	1/2	8FBH8NPT	57.2	31.2	19.8	23.0	42.1	67.5	10.3	28.6	22.2	19.5	12.7	17.2

**** Dimensions subject to change - Please contact us if critical ****