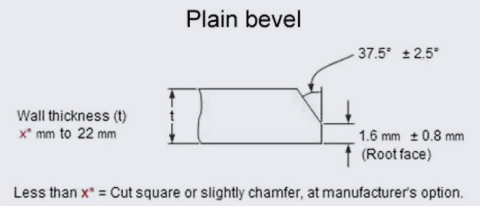
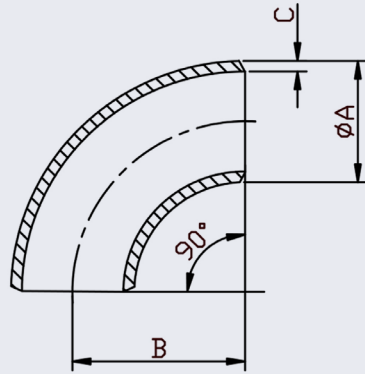


# Butt Weld 90 Degree Short Radius Elbow



NERO's range of Butt Weld Short Radius Elbows are made to ANSI B16.9. They are available in schedule 10-40 thickness and 316/L or 304/L material grades.

Radius = 1D

This item is of Far Eastern origin and 3.1b material certificates are available upon request.

Size	SCHEDULE 10						SCHEDULE 40					
	PRODUCT CODE		DIMENSIONS				PRODUCT CODE		DIMENSIONS			
	316/L	304/L	A	B	C	KG EACH	316/L	304/L	A	B	C	KG EACH
3/4	BES12/1	-	26.6	25.4	2.11	0.08	-	-	-	-	-	-
1	BES16/1	BES16/1-304	33.4	25.4	2.77	0.10	BES16/4	BES16/4-304	33.4	25.4	3.38	0.12
1-1/4	BES20/1	BES20/1-304	42.1	31.8	2.77	0.14	BES20/4	BES20/4-304	42.1	31.8	3.56	0.20
1-1/2	BES24/1	BES24/1-304	48.1	38.1	2.77	0.22	BES24/4	BES24/4-304	48.1	38.1	3.68	0.29
2	BES32/1	BES32/1-304	60.3	50.8	2.77	0.37	BES32/4	BES32/4-304	60.3	50.8	3.91	0.52
2-1/2	BES40/1	BES40/1-304	73	63.5	3.05	0.62	BES40/4	BES40/4-304	73	63.5	5.16	1.02
3	BES48/1	BES48/1-304	88.9	76.2	3.05	0.98	BES48/4	BES48/4-304	88.9	76.2	5.49	1.50
4	BES64/1	BES64/1-304	114.3	101.6	3.05	1.72	BES64/4	BES64/4-304	114.3	101.6	6.02	3.12
5	BES80/1	BES80/1-304	141.3	127	3.4	2.78	BES80/4	BES80/4-304	141.3	127	6.55	5.28
6	BES96/1	BES96/1-304	168.3	152.4	3.4	4.15	BES96/4	BES96/4-304	168.3	152.4	7.11	7.15
8	BES128/1	BES128/1-304	219.08	203.2	3.76	8.00	BES128/4	BES128/4-304	219.08	203.2	8.18	17.05
10	BES160/1	BES160/1-304	273.1	254	4.19	12.40	BES160/4	BES160/4-304	273.1	254	9.27	24
12	BES192/1	BES192/1-304	323.9	304.8	4.57	17.20	-	BES192/4-304	323.9	304.8	9.53	38.1
14	BES224/1	BES224/1-304	356	533.4	3.96	23.59						
16	BES256/1	BES256/1-304	406	609.6	4.19	30.84						

**\*\* Dimensions subject to change - Please contact us if critical \*\***

## Other products you might like...

Did you know we also keep 90 & 45 Degree Elbows?

