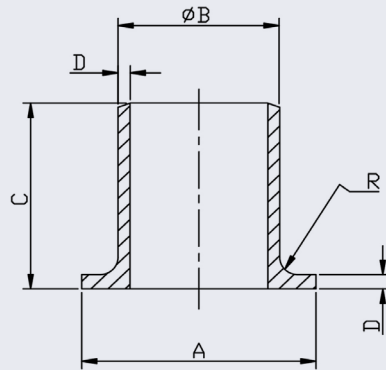
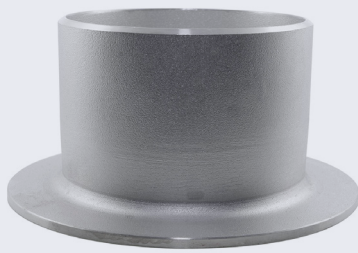
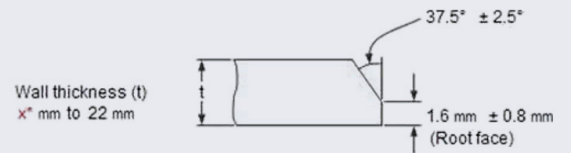


Butt Weld Stub End (MSS Type A)



Plain bevel



Wall thickness (t)
x* mm to 22 mm

Less than x* = Cut square or slightly chamfer, at manufacturer's option.

NERO's range of Butt Weld Stub Ends are made to ANSI B16.9. They are available in schedule 10-40 thickness and 316/L or 304/L material grades.

This item is of Far Eastern origin and 3.1b material certificates are available upon request.

Size	SCHEDULE 10								SCHEDULE 40								
	PRODUCT CODE		DIMENSIONS						KG EACH	PRODUCT CODE		DIMENSIONS					
	316/L	304/L	A	B	C	D	R (MAX)	316/L		304/L	A	B	C	D	R (MAX)	KG EACH	
1/2	BSE08/1	BSE08/1-304	34.9	21.3	50.8	2.11	3.18	0.07	BSE08/4	BSE08/4-304	34.9	21.3	50.8	2.77	3.2	0.09	
3/4	BSE12/1	BSE12/1-304	42.9	26.6	50.8	2.11	3.18	0.10	BSE12/4	BSE12/4-304	42.9	26.6	50.8	2.87	3.2	0.12	
1	BSE16/1	BSE16/1-304	50.8	33.4	50.8	2.77	3.18	0.16	BSE16/4	BSE16/4-304	50.8	33.4	50.8	3.38	3.2	0.17	
1-1/4	BSE20/1	BSE20/1-304	63.5	42.1	50.8	2.77	4.76	0.22	BSE20/4	BSE20/4-304	63.5	42.1	50.8	3.56	4.8	0.25	
1-1/2	BSE24/1	BSE24/1-304	73	48.1	50.8	2.77	6.35	0.25	BSE24/4	BSE24/4-304	73	48.1	50.8	3.68	6.4	0.31	
2	BSE32/1	BSE32/1-304	92.1	60.3	63.5	2.77	7.94	0.43	BSE32/4	BSE32/4-304	92.1	60.3	63.5	3.91	7.9	0.61	
2-1/2	BSE40/1	BSE40/1-304	104.8	73	63.5	3.05	7.94	0.57	BSE40/4	BSE40/4-304	104.8	73	63.5	5.16	7.9	0.80	
3	BSE48/1	BSE48/1-304	127	88.9	63.5	3.05	9.53	0.73	BSE48/4	BSE48/4-304	127	88.9	63.5	5.49	9.5	1.13	
4	BSE64/1	BSE64/1-304	157.2	114.3	76.2	3.05	11.1	1.09	BSE64/4	BSE64/4-304	157.2	114.3	76.2	6.02	11.1	1.87	
5	BSE80/1	BSE80/1-304	185.7	141.3	76.2	3.4	11.1	1.47	BSE80/4	BSE80/4-304	185.7	141.3	76.2	6.55	11.1	2.28	
6	BSE96/1	BSE96/1-304	215.9	168.3	88.9	3.4	12.7	2.15	BSE96/4	BSE96/4-304	215.9	168.3	88.9	7.11	12.7	3.57	
8	BSE128/1	BSE128/1-304	269.7	219.1	101.6	3.76	12.7	3.22	BSE128/4	BSE128/4-304	269.7	219.1	101.6	8.18	12.7	6.07	
10	BSE160/1	BSE160/1-304	323.9	273.1	127	4.19	12.7	4.70	BSE160/4	BSE160/4-304	323.9	273.1	127	9.27	12.7	9.55	
12	BSE192/1	BSE192/1-304	381	323.9	152.4	4.57	12.7	7.11	BSE192/4	BSE192/4-304	381	323.9	152.4	9.53	12.7	14.29	
14	BSE224/1	BSE224/1-304	413	324	152	4.78	12.7	14.53									
16	BSE256/1	BSE256/1-304	470	356	152	4.78	12.7	16.34									

**** Dimensions subject to change - Please contact us if critical ****

Other products you might like...

Did you know we also keep Butt Weld Pressed Collars in Stainless and Backing Flanges to suit our Stub Ends in both Stainless & Zinc Plated?

