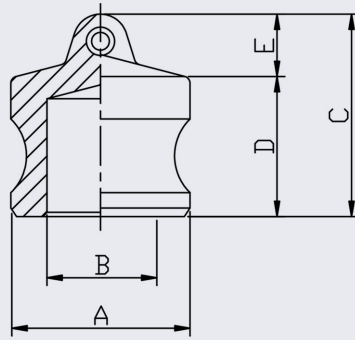


# Cam Dustplug (Type DP) 316



- Available in 316 stainless steel (CF8M)
- BUNA N (Nitrile) seals supplied as standard
- 100°C maximum temperature (when used with Nitrile seals)
- Made to standard A-A-59326 (MIL-C-27487) or DIN 2828
- Test Pressures 1/2" - 2" = 17.6 BAR (250 PSI)
- Test Pressures 2-1/2" = 15.8 BAR (225 PSI)
- Test Pressures 3" - 4" = 14.8 BAR (200 PSI)
- Test Pressures 5" - 6" = 10.5 BAR (150 PSI)

SIZE	CODE	A	B	C	D	E	KG/100
1/2	CCDP08	32.0	16	37	25	12	7.4
3/4	CCDP12	32.0	21	37	28	12	10.3
1	CCDP16	36.7	24	45	31	14	15.7
1-1/4	CCDP20	45.5	29	54	38	16	31.0
1-1/2	CCDP24	53.4	35	59	39	20	41.7
2	CCDP32	63.0	45	66	43	23	51.2
2-1/2	CCDP40	75.8	56	72	47	25	63.4
3	CCDP48	91.5	71	76	48	26	101.8
4	CCDP64	119.5	99	80	50	30	182.0
5	CCDP80	145.5	122	86	53	33	270.0
6	CCDP96	175.9	148	95	60	35	380.0

**\*\* Dimensions subject to change - Please contact us if critical \*\***

## Other products you might like...

We also keep ISO B Quick Release Couplings and Nipples in this range



We also keep other types of Cam fittings to this standard

