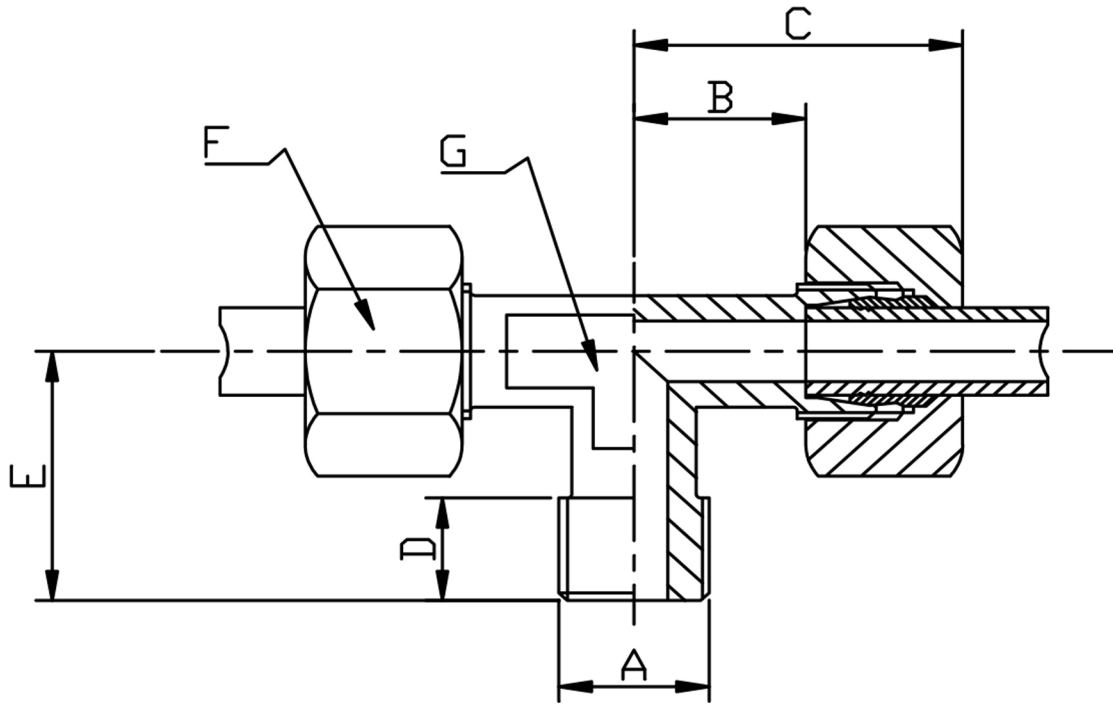


### MALE BRANCH TEE NPT



TUBE	A NPT	PART No	B	C	D	E	F	G	PN BAR	Kg 100
<b>LIGHT SERIES</b>										
4	1/8	MBT04LL18NPT	11.0	21	8	17	10	9	100	2.6
6	1/8	MBT06LL18NPT	9.5	21	8	17	12	9		3.4
8	1/8	MBT08LL18NPT	11.5	23	8	20	14	12		3.7
6	1/8	MBT06L18NPT	12.0	27	8	20	14	12	315	5.1
8	1/4	MBT08L14NPT	14.0	29	12	26	17	12		6.9
10	1/4	MBT10L14NPT	15.0	30	12	27	19	14		9.2
12	3/8	MBT12L38NPT	17.0	32	12	28	22	17		12.1
15	1/2	MBT15L12NPT	21.0	36	14	34	27	19		19.8
18	1/2	MBT18L12NPT	23.5	40	14	36	32	24		29.1
<b>HEAVY SERIES</b>										
6	1/4	MBT06S14NPT	16.0	31	12	26	17	12	630	10.9
8	1/4	MBT08S14NPT	17.0	32	12	27	19	14		14.0
10	3/8	MBT10S38NPT	17.5	34	12	28	22	17		19.0
12	3/8	MBT12S38NPT	21.5	38	12	28	24	17		24.5
14	1/2	MBT14S12NPT	22.0	40	14	32	27	19		24.4
16	1/2	MBT16S12NPT	24.5	43	14	32	30	24	400	31.0

\*316Ti Stainless Steel

\*Pressures up to 630 BAR

\*Dimensions to EN ISO 8434-1/DIN 2353

\*Sizes 4mm to 18mm

\*\*DIMENSIONS SUBJECT TO CHANGE, PLEASE CONTACT US IF CRITICAL\*\*