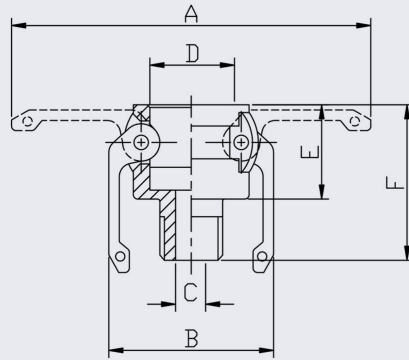


# Cam Coupler Male (Type B) BSPT 316



- Available in 316 stainless steel (CF8M)
- BUNA N (Nitrile) seals supplied as standard
- 100°C maximum temperature (when used with Nitrile seals)
- Made to standard A-A-59326 (MIL-C-27487) or DIN 2828
- Test Pressures 1/2" - 2" = 17.6 BAR (250 PSI)
- Test Pressures 2-1/2" = 15.8 BAR (225 PSI)
- Test Pressures 3" - 4" = 14.8 BAR (200 PSI)
- Test Pressures 5" - 6" = 10.5 BAR (150 PSI)

SIZE BSPT	CODE	A	B	C	D	E	F	KG/100
1/2	CCB08	115	52	17	32.4	32	52	13.3
3/4	CCB12	115	52	19	32.4	32	52	23.4
1	CCB16	137	61	24	37.3	39	62	34.5
1-1/4	CCB20	183	81	28	46.0	48	72	59.3
1-1/2	CCB24	191	89	35	54.0	49	73	71.4
2	CCB32	201	99	48	63.7	54	81	93.0
2-1/2	CCB40	213	111	58	76.4	58	89	134.9
3	CCB48	267	137	72	92.2	60	93	177.0
4	CCB64	296	166	96	102.2	63	99	233.5
5	CCB80	322	192	117	146.0	65	103	363.0
6	CCB96	454	258	142	176.0	70	113	536.9

**\*\* Dimensions subject to change - Please contact us if critical \*\***

## Other products you might like...

We also keep ISO B Quick Release Couplings and Nipples in this range



To go with these seals, we keep a wide range of Cam fittings to suit your needs

