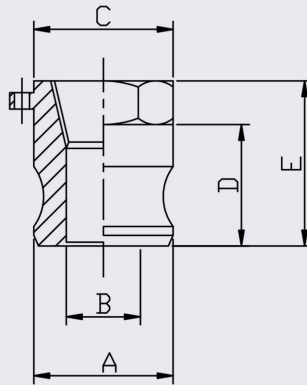


Cam Adaptor Female (Type A) BSPP 316



- Available in 316 stainless steel (CF8M)
- BUNA N (Nitrile) seals supplied as standard
- 100°C maximum temperature (when used with Nitrile seals)
- Made to standard A-A-59326 (MIL-C-27487) or DIN 2828
- Test Pressures 1/2" - 2" = 17.6 BAR (250 PSI)
- Test Pressures 2-1/2" = 15.8 BAR (225 PSI)
- Test Pressures 3" - 4" = 14.8 BAR (200 PSI)
- Test Pressures 5" - 6" = 10.5 BAR (150 PSI)

SIZE BSPP	CODE	A	B	C	D	E	KG/100
1/2	CCA08	32.0	16	34	28	38	6.0
3/4	CCA12	32.0	21	34	28	38	12.9
1	CCA16	36.7	24	41	34	47	13.0
1-1/4	CCA20	45.5	29	48	41	56	26.5
1-1/2	CCA24	53.4	36	56	43	59	36.1
2	CCA32	63.0	45	67	48	65	50.3
2-1/2	CCA40	75.8	56	83	51	67	101.1
3	CCA48	91.5	73	96	53	73	110.5
4	CCA64	119.5	99	127	53	78	188.0
5	CCA80	145.5	122	168	55	79	270.0
6	CCA96	175.9	148	192	60	86	301.1

**** Dimensions subject to change - Please contact us if critical ****

Other products you might like...

We also keep ISO B Quick Release Couplings and Nipples in this range



To go with these seals, we keep a wide range of Cam fittings to suit your needs

