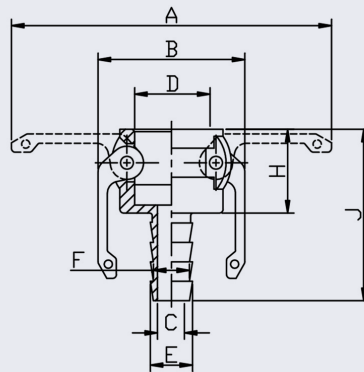


Cam Coupler Hose (Type C) 316



- Available in 316 stainless steel (CF8M)
- BUNA N (Nitrile) seals supplied as standard
- 100°C maximum temperature (when used with Nitrile seals)
- Made to standard A-A-59326 (MIL-C-27487) or DIN 2828
- Test Pressures 1/2" - 2" = 17.6 BAR (250 PSI)
- Test Pressures 2-1/2" = 15.8 BAR (225 PSI)
- Test Pressures 3" - 4" = 14.8 BAR (200 PSI)
- Test Pressures 5" - 6" = 10.5 BAR (150 PSI)

SIZE	CODE	A	B	C	D	E	F	H	J	KG/100
1/2	CCC08	103	39	10	32.4	15.0	12.5	31	73	14.9
3/4	CCC12	115	52	14	32.4	21.4	18.6	32	83	25.5
1	CCC16	137	61	20	37.3	27.4	25.0	39	99	39.0
1-1/4	CCC20	183	81	25	46.0	33.9	31.8	48	112	61.7
1-1/2	CCC24	191	89	31	54.0	40.5	37.7	49	115	76.1
2	CCC32	201	99	43	63.7	53.2	50.0	54	131	106.0
2-1/2	CCC40	213	111	55	76.4	66.7	63.0	58	154	138.8
3	CCC48	267	137	67	92.2	79.0	75.0	60	164	213.7
4	CCC64	296	166	91	102.2	104.8	108.0	63	176	299.7
5	CCC80	322	192	117	146.0	134.0	130.0	65	192	464.0
6	CCC96	454	258	142	176.0	155.6	152.4	70	213	726.2

**** Dimensions subject to change - Please contact us if critical ****

Other products you might like...

We also keep ISO B Quick Release Couplings and Nipples in this range



We also keep other types of Cam fittings to this standard

