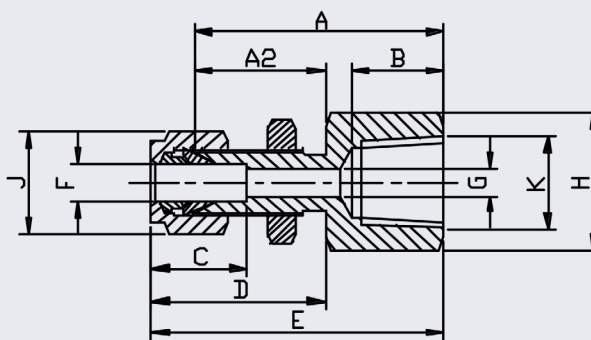
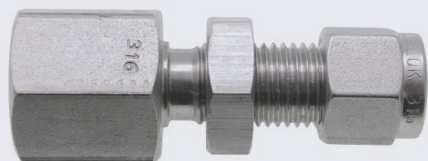


Twin Ferrule Compression Fittings Female Bulkhead NPT (Metric)



- 316 Stainless Steel
- Metric sizes 6mm to 12mm
- Silver plated nuts

F TUBE	P THREAD	PART No.	A	A2	B	C	D	E	G	H HEX	J HEX	Panel hole drill size	Panel thickness max	KG/100
6	1/8	6mFBH2NPT	39.7	26.2	9.9	16.1	34.4	47.9	4.7	19	14	11.5	10	4.0
6	1/4	6mFBH4NPT	44.5	26.2	15.0	16.1	34.4	52.7	6.1	19	14	11.5	10	6.4
10	1/4	10mFBH4NPT	47.6	29.4	15.0	17.7	37.6	55.8	7.9	22	19	16.5	11	7.5
12	1/4	12m8FBH4NPT	51.6	31.8	15.0	23.5	42.6	62.4	9.5	24	22	19.5	12	13.5
12	1/2	12m8FBH8NPT	56.4	31.8	19.0	23.5	42.6	67.2	9.5	27	22	19.5	12	17.4

**** Dimensions subject to change - Please contact us if critical ****