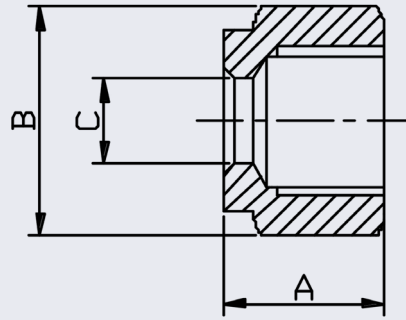


# Twin Ferrule Compression Fittings Compression Nut (Metric)



- 316 Stainless Steel
- Metric sizes 4 to 25mm
- Silver plated nuts

C TUBE	PART No.	THREAD	A	B HEX	KG/100
4	4mN	3/8-20UN	11.9	13	0.7
6	6mN	7/16-20UNF	12.7	14	0.9
8	8mN	1/2-20UNF	13.5	16	1.5
10	10mN	5/8-20UN	14.3	19	1.7
12	12mN	3/4-20UNEF	17.4	22	2.5
15	15mN	7/8-20UNEF	17.5	25	3.1
16	16mN	7/8-20UNEF	17.5	25	3.8
20	20mN	1-1/8-20UN	17.5	30	4.5
25	25mN	1-5/16-20UN	20.6	38	7.4

**\*\* Dimensions subject to change - Please contact us if critical \*\***