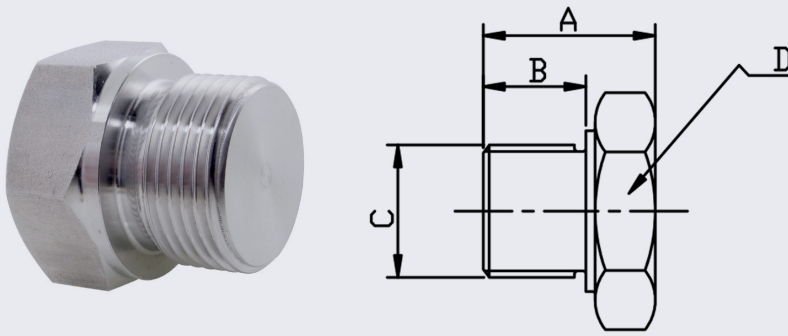


# Hexagon Solid Plug (BSPP) 316



- NERO's range of Hexagon Solid Plugs are available in BSPP thread
- Made from hexagon bar with a flat sealing face on the female end
- Pressure rating up to 350 BAR (size dependant)
- Can be supplied with 2.2 Certificate of Conformity - upon request
- BSPP threads are to ISO 228/1

SIZE BSPP (C)	PRODUCT CODE	PRESSURE (BAR)	A	B	D (A/F)	KG EACH
1/8	HP02P	350	16	10.1	14.3	0.014
1/4	HP04P	350	18	11.1	19.1	0.032
3/8	HP06P	350	21	12.1	22.2	0.054
1/2	HP08P	315	25	15.1	28.6	0.10
3/4	HP12P	250	28	16.3	31.7	0.16
1	HP16P	200	32	19.1	41.3	0.29
1-1/4	HP20P	160	37	21.4	50.8	0.50
1-2/2	HP24P	125	40	22.5	56.4	0.65
2	HP32P	80	46	25.1	69.8	1.23

**\*\* Dimensions subject to change - Please contact us if critical \*\***

## Other products you might like...

We stock a wide range of Hydraulic Fittings to suit your requirements



We also keep a Flanged BSPP Hexagon Plug of this fitting + Bonded Washers in our Hydraulic range

