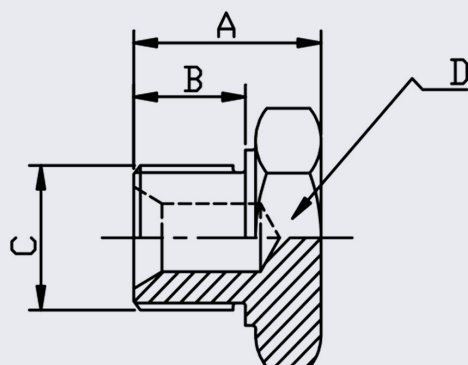
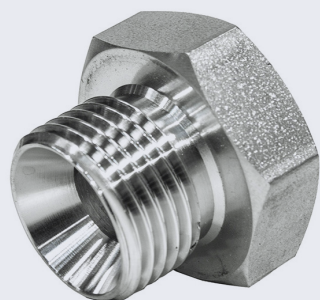


Hexagon Coned Plug (BSPP) 316



- NERO's range of Hexagon Cone Seat Plugs are available in BSPP thread form with a 60° internal cone on the male end recessed to accept a Bonded Washer
- Made from hexagon bar with a flat sealing face on the female end
- Pressure rating up to 350 BAR (size dependant)
- Can be supplied with 2.2 Certificate if Conformity - upon request
- BSPP thread are to ISO 228/1
- 60° internal cone to BS 5200

SIZE BSPP (C)	PRODUCT CODE	PRESSURE (BAR)	A	B	D (A/F)	KG EACH
1/8	CHP02P	350	16	10.1	14.3	0.011
1/4	CHP04P	350	18	11.1	19.1	0.026
3/8	CHP06P	350	21	12.1	22.2	0.040
1/2	CHP08P	315	25	15.1	28.6	0.08
3/4	CHP12P	250	28	16.3	31.7	0.12
1	CHP16P	200	32	19.1	41.3	0.19
1-1/4	CHP20P	160	37	21.4	50.8	0.35
1-2/2	CHP24P	125	40	22.5	56.4	0.45
2	CHP32P	80	46	25.1	69.8	0.83

**** Dimensions subject to change - Please contact us if critical ****

Other products you might like...

We stock a wide range of Hydraulic Fittings to suit your requirements



We also keep a Flanged BSPP Hexagon Plug of this fitting + Bonded Washers in our Hydraulic range

