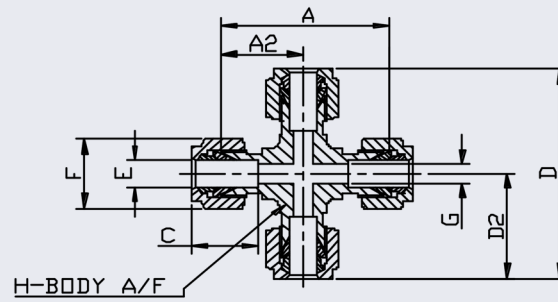


Twin Ferrule Compression Fittings Equal Cross (Metric)



- 316 Stainless Steel
- Metric sizes 4mm to 20mm
- Silver plated nuts

E TUBE	PART No.	A	A2	C	E	D2	F HEX	G	H A/F	KG/100
4	4mCR	39.6	19.8	13.5	53.2	26.6	11	2.4	14	8.5
6	6mCR	41.2	20.6	16.1	57.6	28.8	14	4.7	14	8.9
8	8mCR	44.4	22.2	16.9	60.8	30.4	16	6.3	14	9.8
10	10mCR	47.6	23.8	17.7	64.0	32.0	19	7.9	14	13.6
12	12mCR	50.0	25.0	23.5	71.6	35.8	22	9.5	17	21.2
16	16mCR	54.0	27.0	25.1	75.6	37.8	24	12.7	24	35.0
20	20mCR	58.4	33.3	25.1	88.2	44.1	30	16.7	32	37.0

**** Dimensions subject to change - Please contact us if critical ****