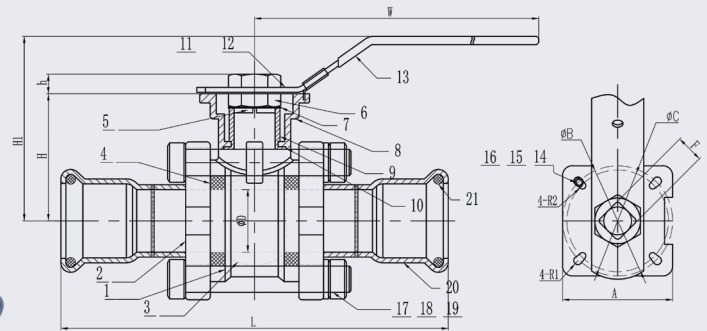
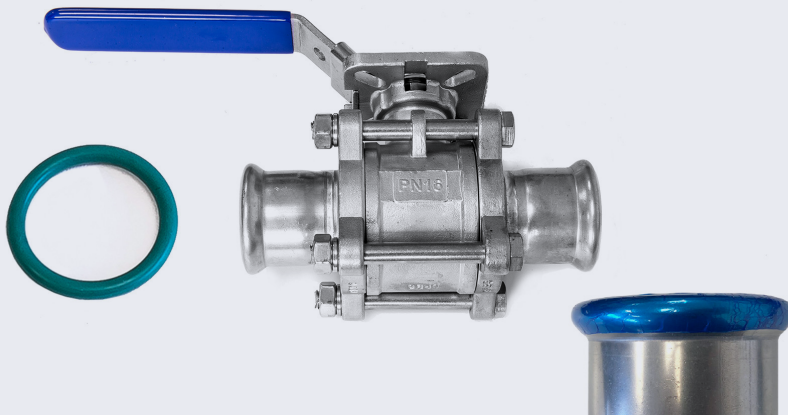


Press Fit Ball Valve



Stainless Steel 3-Pc Ball Valve, Full bore, Pressends, PN63, PSI1000

- Pressends M-Contour
- Mounting pad for ISO 5211
- Investment casting
- CE PED tested with test report 3.1 EN 10204

FPM O-ring as standard. HNBR/EPDM available

Dimension	Code	ALL MEASUREMENTS (MM)											KG Each	
		A	B	C	D	F	H	h	H1	L	R1	R2		W
15mm	PFFBVX15	43	43	38	12	9	48	9	69	122.8	3	3	135	0.69
18mm	PFFBVX18	43	43	38	15	9	48	9	69	124	3	3	135	0.7
22mm	PFFBVX22	43	43	38	15	9	48	9	69	128.2	3	3	135	0.71
28mm	PFFBVX28	44	44	38	20	9	49	10	69	139	3	3	135	1.25
35mm	PFFBVX35	52	52	44	25	11	55	16	92	155.8	3.5	3	152	1.26
42mm	PFFBVX42	68	68	50	38	14	70	18	107	189.8	4.5	3.5	188	3.21
54mm	PFFBVX54	70	70	50	49	14	80	20	122	226.2	4.5	3.5	188	6.28
76.1mm	PFFBVX76.1	95	55	44	65	17	100	20	140	309	5.25	4.25	265	6.28
88.9mm	PFFBVX88.9	95	55	45	80	17	107	20	148	348	5.25	4.25	325	8.55
108mm	PFFBVX108	95	56	45.5	100	17	127	20	168	447	5.25	4.25	325	15.74

No.	Part	Material
1	Body	CF8/CF8M
2	Ball Cap	CF8/CF8M
3	Ball	PTFE
4	Ball Seal	304
5	Stem	304
6	Nut	304
7	Positioning System	304
8	Pressure Ring	304
9	Stem Seal	PTFE
10	Seal	PTFE
11	Under Plate	304
12	Handle	304
13	Handle Cover	Plastic
14	Hexagon Screw	304
15	Feather System	304
16	Positioning Nut	304
17	Screw Nut	304
18	Feather Plate	304
19	Bolt	304
20	Half Header	304 / 316
21	O-Ring	FPM

**** Dimensions subject to change - Please contact us if critical ****

Application	Operating temperature	Maximum operating pressure	Seal
Hot and cold potable water	0 to 100°C	16 BAR	EPDM
Heating water	0 to 100°C	16 BAR	EPDM
Cooling water without antifreeze agent	0 to 100°C	16 BAR	EPDM
Cooling water with antifreeze agent	-30 to +120°C	16 BAR	EPDM
Service/Treated water	0 to 100°C	16 BAR	EPDM
Rainwater/Grey and black water with a PH value of >6.0	0 to 100°C	16 BAR	EPDM
Extinguishing water	0 to 70°C	16 BAR	EPDM
Extinguishing water (wet/dry, dry)	0 to 70°C	16 BAR	EPDM
Sprinklers	0 to 70°C	16 BAR	EPDM
Oils, Fuels and Chemicals	0 to 200°C	16 BAR	FKM/HNBR