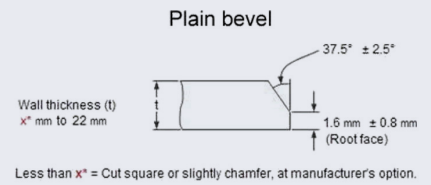
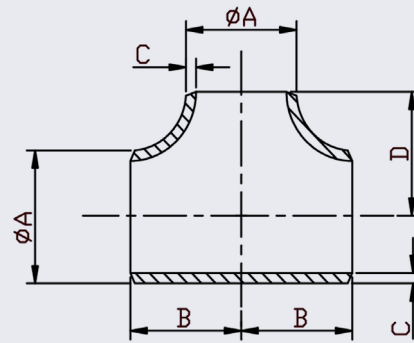


# Butt Weld Equal Tee



NERO's range of Butt Weld Equal Tee's are made to ANSI B16.9 and MSS SP43. They are available in schedule 10-40 thickness and 316/L or 304/L material grades.

This item is of Far Eastern origin and 3.1b material certificates are available upon request.

| Size  | SCHEDULE 10  |             |            |       |      |         | SCHEDULE 40  |             |            |       |      |         |
|-------|--------------|-------------|------------|-------|------|---------|--------------|-------------|------------|-------|------|---------|
|       | PRODUCT CODE |             | DIMENSIONS |       |      |         | PRODUCT CODE |             | DIMENSIONS |       |      |         |
|       | 316/L        | 304/L       | A          | B/D   | C    | KG EACH | 316/L        | 304/L       | A          | B/D   | C    | KG EACH |
| 1/2   | BT08/1       | BT08/1-304  | 21.3       | 25.4  | 2.11 | 0.07    | BT08/4       | BT08/4-304  | 21.3       | 25.4  | 2.77 | 0.09    |
| 3/4   | BT12/1       | BT12/1-304  | 26.6       | 28.7  | 2.11 | 0.09    | BT12/4       | BT12/4-304  | 26.6       | 28.7  | 2.87 | 0.12    |
| 1     | BT16/1       | BT16/1-304  | 33.4       | 38.1  | 2.77 | 0.20    | BT16/4       | BT16/4-304  | 33.4       | 38.1  | 3.38 | 0.25    |
| 1-1/4 | BT20/1       | BT20/1-304  | 42.1       | 47.75 | 2.77 | 0.33    | BT20/4       | BT20/4-304  | 42.1       | 47.75 | 3.56 | 0.42    |
| 1-1/2 | BT24/1       | BT24/1-304  | 48.1       | 57.15 | 2.77 | 0.46    | BT24/4       | BT24/4-304  | 48.1       | 57.15 | 3.68 | 0.60    |
| 2     | BT32/1       | BT32/1-304  | 60.3       | 63.5  | 2.77 | 0.63    | BT32/4       | BT32/4-304  | 60.3       | 63.5  | 3.91 | 0.87    |
| 2-1/2 | BT40/1       | BT40/1-304  | 73         | 76.2  | 3.05 | 1.10    | BT40/4       | BT40/4-304  | 73         | 76.2  | 5.16 | 1.70    |
| 3     | BT48/1       | BT48/1-304  | 88.9       | 85.85 | 3.05 | 1.37    | BT48/4       | BT48/4-304  | 88.9       | 85.85 | 5.49 | 1.90    |
| 4     | BT64/1       | BT64/1-304  | 114.3      | 104.9 | 3.05 | 2.15    | BT64/4       | BT64/4-304  | 114.3      | 104.9 | 6.02 | 4.13    |
| 5     | BT80/1       | BT80/1-304  | 141.3      | 124   | 3.4  | 3.48    | BT80/4       | BT80/4-304  | 141.3      | 124   | 6.55 | 6.55    |
| 6     | BT96/1       | BT96/1-304  | 168.3      | 143   | 3.4  | 4.76    | BT96/4       | BT96/4-304  | 168.3      | 143   | 7.11 | 9.73    |
| 8     | BT128/1      | BT128/1-304 | 219.1      | 177.8 | 3.76 | 8.46    | BT128/4      | BT128/4-304 | 219.1      | 177.8 | 8.18 | 18      |
| 10    | BT160/1      | BT160/1-304 | 273.05     | 215.9 | 4.19 | 14.20   | BT160/4      | BT160/4-304 | 273.05     | 215.9 | 9.27 | 30.80   |
| 12    | BT192/1      | BT192/1-304 | 323.9      | 254   | 4.57 | 21.60   | BT192/4      | BT192/4-304 | 323.9      | 254   | 9.53 | 44.30   |
| 14    | BT224/1      | BT224/1-304 | 356        | 279   | 4.78 | 69.90   |              |             |            |       |      |         |
| 16    | BT256/1      | BT256/1-304 | 406        | 305   | 4.78 | 72.65   |              |             |            |       |      |         |

**\*\* Dimensions subject to change - Please contact us if critical \*\***