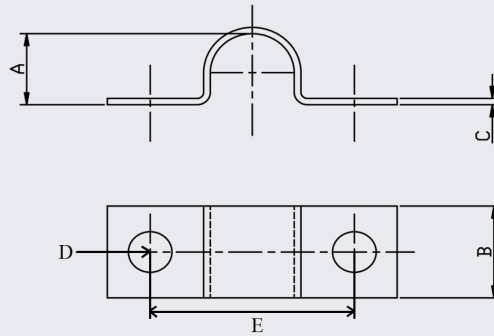
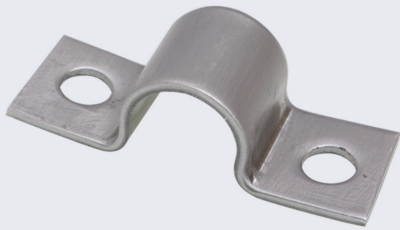


Saddle Tube Clip (304)



NERO's range of Saddle Tube Clips are made from 304 stainless steel

We keep Seamless Tube to suit these Saddle Clips. The Tube is stocked in 6 mtr lengths and we can sell this by the metre, this enables us to supply lengths as short as 1 metre long



We can also offer an accurate cutting service on any of our tube to a tolerance of +/- 1mm

TUBE SIZE	CODE	A	B	C	D (HOLE SIZE)	E	KG/100
1/4 - 6MM	STC0.25	6.35	10	1	5	19	0.40
5/16" / 8MM	STC08M	8	10	1	5	33	0.40
3/8" / 10MM	STC10M	10	10	1	5	25	0.40
1/2" / 12MM	STC0.5	12.7	15	1.6	6	28	0.50
15MM	STC15M	15	15	1.6	6	28	0.50
5/8" / 16MM	STC16M	16	15	1.6	6	43	1.00
18MM	STC18M	18	20	2	6	42	2.20
3/4"	STC0.75	19.05	20	2	6	40	2.30
20MM	STC20M	20	20	2	6	44	2.40
7/8" / 22MM	STC22M	22	20	2	6	43	2.40
1" / 25MM	STC1.0	25.4	20	2	6	53	3.00
28MM	STC28M	28	20	2	7	53	3.20
1-1/4" / 32MM	STC32M	32	20	2	7	59	3.90
35MM	STC35M	35	20	2	7	68	4.40
1-1/2" / 38MM	STC38M	38.1	20	2	8	67	4.40
42MM	STC42M	42	20	2	8	72	4.80

**** Dimensions subject to change - Please contact us if critical ****

Other products you might like...

Did you know we also keep Compression fittings to suit this tube?

